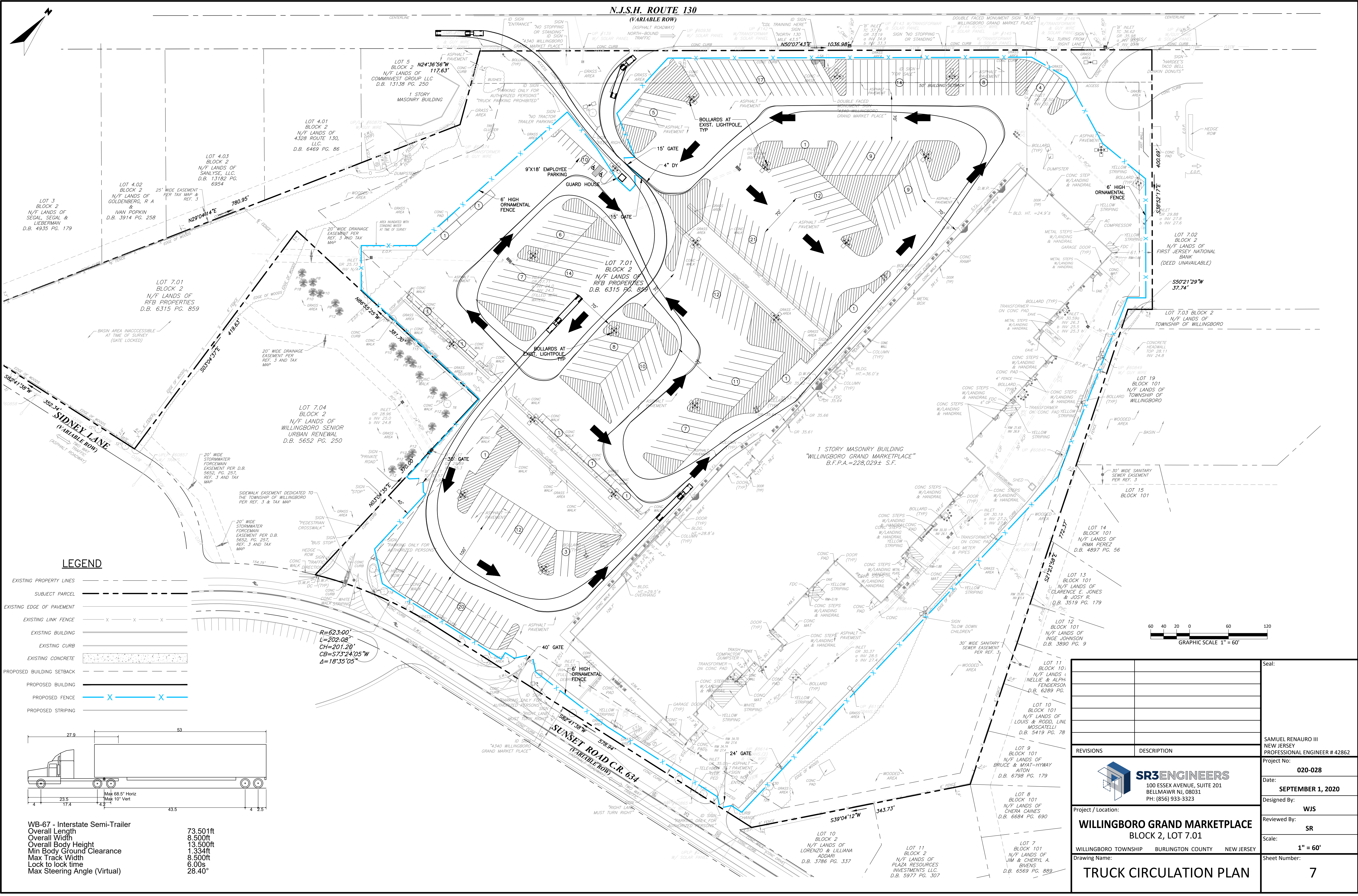


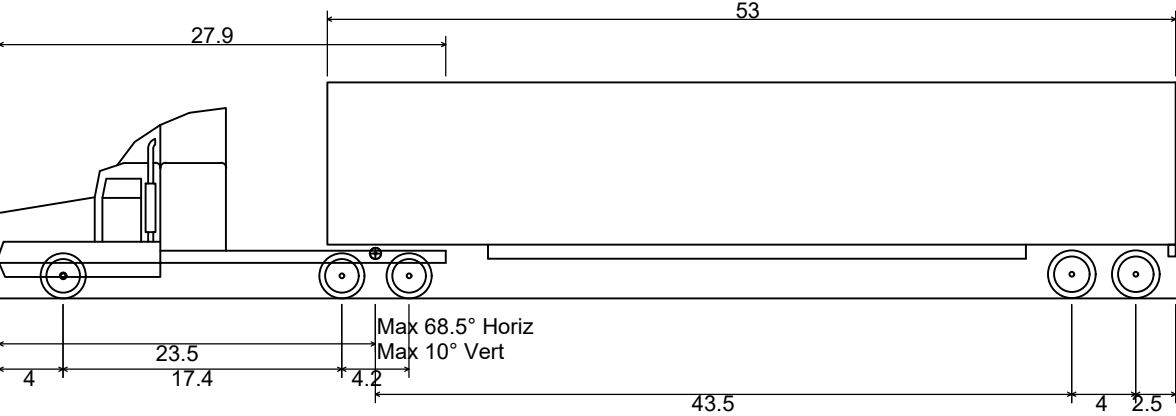
N.J.S.H. ROUTE 130

(VARIABLE ROW)



LEGEND

- EXISTING PROPERTY LINES
- SUBJECT PARCEL
- EXISTING EDGE OF PAVEMENT
- EXISTING LINK FENCE
- EXISTING BUILDING
- EXISTING CURB
- EXISTING CONCRETE
- PROPOSED BUILDING SETBACK
- PROPOSED BUILDING
- PROPOSED FENCE
- PROPOSED STRIPING



WB-67 - Interstate Semi-Trailer  
 Overall Length 73.50ft  
 Overall Width 8.500ft  
 Overall Body Height 13.500ft  
 Min Body Ground Clearance 1.334ft  
 Max Track Width 8.500ft  
 Lock to lock time 6.00s  
 Max Steering Angle (Virtual) 28.40°



SEAL		Project No:	020-028
Date:		SEPTEMBER 1, 2020	
Designed By:		WJS	
Reviewed By:		SR	
Scale:		1" = 60'	
Sheet Number:		7	
Project / Location: <b>WILLINGBORO GRAND MARKETPLACE</b> BLOCK 2, LOT 7.01 WILLINGBORO TOWNSHIP BURLINGTON COUNTY NEW JERSEY			
REVISIONS DESCRIPTION		SAMUEL RENAURO III NEW JERSEY PROFESSIONAL ENGINEER # 42862 Project No: 020-028 Date: SEPTEMBER 1, 2020 Designed By: WJS Reviewed By: SR Scale: 1" = 60' Sheet Number: 7	